



AUSTRALIA'S PREMIUM  
LIGHT INDUSTRIAL ROLLING DOOR

# Roll-A-Shutter®

INDUSTRIAL SLAT TYPE SHUTTER



The Roll-A-Shutter® Series 3 industrial slat type shutter offers maximum security, with visibility and airflow.

With four shutter options available, the Series 3 range is specifically designed to span the largest of openings. A single shutter can span widths up to 9 metres. Suitable for use in shopping mall entrances, high security shop fronts, counter tops and sports complexes.

### FEATURES

- Four curtain alternatives including slotted slats, standard vision shutters, wideview vision shutters and multi-hole shutters.
- Perforated, multi-hole slats provide 32% airflow.
- Slotted slats offer 51% airflow.
- Wideview Vision shutters provide effective ventilation.
- Transparent acrylic panels can be fitted for dust seals.
- Hand chain and motorised operation available.
- Available in anodised and powder coat finishes.

### SIZES

Suits openings up to 4.0m high x 9.0m wide when used internally or up to 6.0m wide when used externally.

### FINISH

Available in anodised matt natural. Other colours and powder coat finishes also available on request.

### ROLLER DRUM

Manufactured from 200mm seamless tube attached to self lubrication bearings rotating on a 35mm steel shaft. The shaft shall be fitted with helical springs designed to counterbalance the curtain weight throughout its operation. The drum shall be designed to give minimum deflection over the span.

### OPERATION

Depending on the size of these doors they can either be:

- Hand chain operated
- Motorised operation is available. Speak to your B&D representative to find out which opener best suits your needs.

### CURTAIN

Series 3 is constructed from extruded aluminium slats with a face depth of 93mm x 1.5mm. Nylon end clips are fitted to prevent lateral movement and supply smooth operation.



**Doors & Openers®**

THERE'S SO MUCH MORE BEHIND A B&D DOOR

Call 13 62 63 or visit [www.bnd.com.au](http://www.bnd.com.au) for further information.

# THERE'S SO MUCH MORE BEHIND A DOOR

## CURTAIN ALTERNATIVES

**Slotted Slats (Ventilation)** – Any number of the aluminium slats can be punched with 160mm wide x 60mm high slots. This gives an effective 51% ventilation per lineal metre of slat.

**Standard Vision** – The slotted slats can be covered with a 2mm thick clear acrylic infill to prevent the passage of dust and to give additional security.

**Wideview Vision** – The slats can also be punched with 600mm wide x 60mm high slots and covered with a 2mm thick clear acrylic infill. The width of the slot on the end may vary due to the size of the door. This type of shutter is recommended up to a maximum 8000mm wide. This gives an effective 63% ventilation per lineal metre of slat.

**Multi-Hole (Ventilation)** – The slats can also be perforated with 6mm diameter holes at 8.5mm staggered centres continuously across the width of the slat, giving an effective 32% ventilation per lineal metre of slat.

## BOTTOM RAIL

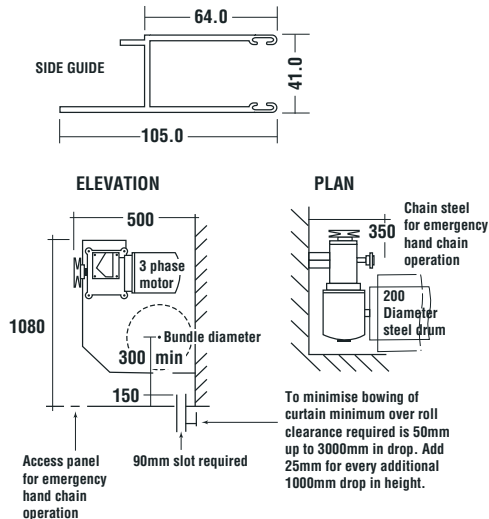
The heavy duty bottom rail has been uniquely designed to give additional strength and rigidity to the bottom of the door curtain. The 105mm high x 45mm wide bottom rail lip helps to conceal the slot in the bulkhead soffit. Optional rubber seals can also be fitted to the base of the bottom rail, three sizes are available.

## CHANNEL GUIDES

105mm x 35mm extruded aluminium section. An optional plastic rubbing strip can be fitted inside the front lips of the guides.

## BRACKETS

Manufactured from 10mm mild steel plate and prime painted.



## SIDE GUIDE

105mm x 35mm extruded aluminium.

## LOCKING

Doors are generally motorised, but can be fitted with standard two point locking for chain operated or manual operation for grilles.

## MULLIONS

Mullions are not available.

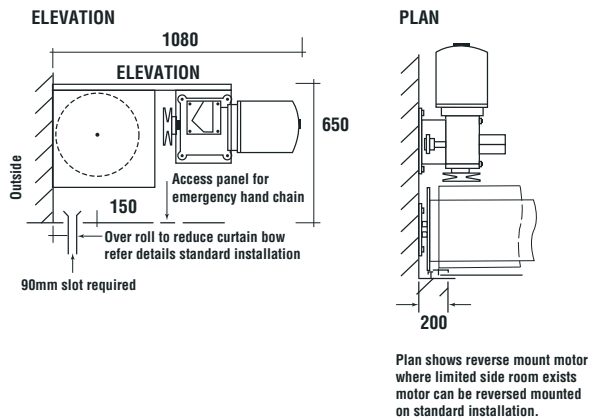
## DIMENSIONS

Drop Height	1800	2100	2400	2700	3000	3300	3600	3900	4200	4500
Bundle Diameter (mm)	360	370	380	390	400	410	420	430	440	450
Min. Vertical Clearance Motor Below (mm)	860	885	890	895	900	905	910	915	920	925
Min. Vertical Clearance Motor Above (mm)	1200	1200	1200	1200	1200	1200	1200	1200	1200	1200
Min. Vertical Clearance Motor Behind (mm)	680	690	700	710	720	730	740	750	760	770

Please note:

1. If inadequate access is provided B&D Doors will not be held responsible for maintenance nor the costs incurred to create adequate access.
2. Roll-A-Shutter Series 3 weighs approximately 25kg/m<sup>3</sup>, therefore the shutters must be installed to structural supports, i.e. RHS steel posts, core filled masonry, tilt up concrete panels. All structural supports for brackets and side guides to be provided by others. All wiring and setting of limits by others.

## INSTALLATION FOR LIMITED HEADROOM OR SIDE ROOM



YOUR B&D REPRESENTATIVE IS

International Customers call +61 2 9722 5555  
fax +61 2 9771 6385 or email [bndint@bnd.com.au](mailto:bndint@bnd.com.au)



**Doors & Openers®**

THERE'S SO MUCH MORE BEHIND A B&D DOOR

B&D Doors has offices servicing all states.

For more details on this product or our other ranges,  
phone **13 62 63** or visit [www.bnd.com.au](http://www.bnd.com.au)

### Notes / Information

- a) B&D Firmadoor® Series 2 Light Industrial Roll-Up Doors are covered by a 12 month warranty, for complete door and parts, as recommended in the door's handbook. Full details of the warranty are available from [www.bnd.com.au](http://www.bnd.com.au). 12 month warranty only applies to doors purchased and installed in Australia or New Zealand. Warranty only valid if warranty conditions are met.
- b) For areas within one kilometre of a corrosive environment eg. salt air or industrial fallout, special care and maintenance are generally required for metal products. Consult B&D or your B&D Accredited Dealer for advice.
- c) The company reserves the right to make changes or improvements to the products or accessories without notice and without incurring any obligation to make similar changes or improvements to goods previously ordered. The company also reserves the right to site touch-up of colour finishes as deemed necessary by the Company. Specifications subject to change without notice.
- d) Roll-A-Door and Nylofelt are trademarks of B&D Australia Pty Ltd. Abuse of these trademarks will result in legal action.
- e) B&D products have many patents and registered designs applicable. B&D Firmadoor® Light Industrial Roll-Up Doors are Australian made
- f) Colorbond® and Zinalume® are registered trademarks of BlueScope Steel Limited.
- g) While BlueScope Steel Limited is our preferred supplier, steel products from other sources may also be used.
- h) Details correct at date of publication.

Call **13 62 63** or visit [www.bnd.com.au](http://www.bnd.com.au) for further information.