



AUSTRALIA'S PREMIUM
LIGHT INDUSTRIAL ROLLING DOOR

Roll-A-Shutter®

SERIES 2 INDUSTRIAL SLAT TYPE SHUTTER



The Roll-A-Shutter® Series 2 aluminium shutters are designed specifically for providing maximum security.

These multi-purpose security shutters come with a wide range of options including full or part perforations, that give an effective airflow of up to 43%.

Applications include counter tops, shop fronts, hotels and bars, reception counters and arcades.

SERIES 2 FEATURES

- Available in solid slats or with ventilation slots
- Slotted perforations provide up to 43% effective airflow per lineal metre of slat
- Standard Vision (43%) and Wideview Vision (50%) options available
- Nylon end clips fitted to the aluminium slats prevent lateral movement and maintain quiet and smooth operation
- Multiple locking mechanisms available including single sided locking, two way locking and sliding pad-bolts
- Clear acrylic infills available for additional security
- Available in anodised matt natural as standard or powder coating and other colours available on request.

ROLLER DRUM

Manufactured from 229mm or 150mm diameter spiral ducted tube attached to self lubrication drum wheels and bearings rotating on a 34mm steel shaft. The shaft shall be designed to give minimum deflection over the span.

CURTAIN

Constructed from extruded aluminium slats with a face depth of 75mm x 1mm. Nylon end clips fitted to alternate slats to prevent lateral movement and provide smooth operation free from lubrication. Optional perforations are available to any number of slats. Vision panels of clear acrylic can be fitted to the perforated slats providing a dust seal.

OPERATION

Design for manual hand operation as standard, chain and motorisation is optional as requested.

LOCKING

Shall be centrally mounted, two way Mortice Key Lock or sliding shoot bolt locking mounted within the bottom rail. Optional waist high locking is also available.



Doors & Openers®

THERE'S SO MUCH MORE BEHIND A B&D DOOR

Call 13 62 63 or visit www.bnd.com.au for further information.

THERE'S SO MUCH MORE BEHIND A DOOR

SIZES

Suits opening size from 1000mm to 3600mm high and from 1000mm to 3600mm wide, hand operation. Series 2 to a maximum overall size of 9.0m². Series 2 with 240V motorisation have maximum daylight opening sizes of 5000mm wide and 4000mm high.

FINISH

Standard colour is anodised matt natural. Other colours and powder coat finishes also available on request.

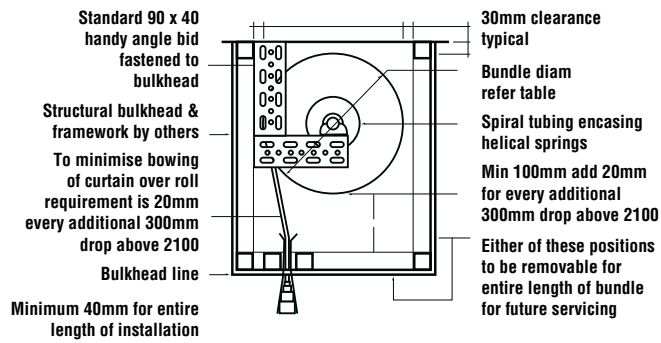
BRACKETS

Manufactured from 90mm x 40mm mild steel slotted angle.

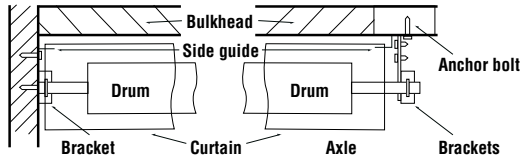
MULLIONS

Shall be extruded aluminium section that can be used for wide openings and multiple door installations. Mullions shall be 'lift out type' with shoot bolts to base. Special wide mullions fabricated from aluminium sheet shall be used when two grilles meet at an angle and no room exists for stacking (refer mullion details).

BULKHEAD DETAILS



OUTSIDE JAMB FIXING



INSIDE JAMB FIXING

SIDE GUIDE

50mm x 30mm extruded aluminium with false back for concealing fixings.

BOTTOM RAIL

90mm x 25mm extruded aluminium section incorporating locking device and concealed locking rods and optional PVC buffer.

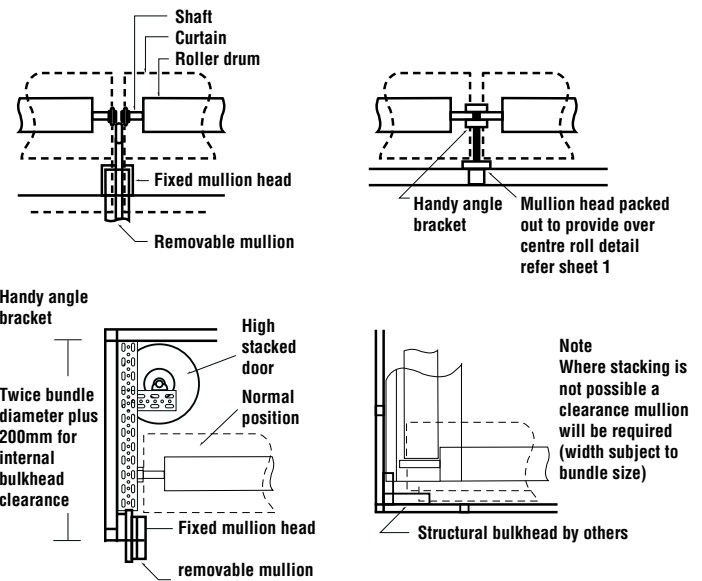
TYPICAL DIMENSIONS REQUIRED FOR VARIOUS DROPS

Drop Height (mm)	1200	1500	1800	2100	2400	2700	3000	3500
Bundle Diameter (mm)	290	300	320	330	340	370	400	420
Recommended Internal Space Required (mm)	420	430	450	490	490	540	590	630
Minimum Internal Space Required (mm)	400	410	430	440	450	480	510	530

Please note

- If inadequate access is provided B&D Doors will not be held responsible for maintenance nor the costs incurred to create adequate access.
- All structural supports for brackets and side guides to be provided by others.

MULLION DETAILS



YOUR B&D REPRESENTATIVE IS

International Customers call +61 2 9722 5555
fax +61 2 9771 6385 or email bndint@bnd.com.au

B&D Doors has offices servicing all states.
For more details on this product or our other ranges,
phone **13 62 63** or visit www.bnd.com.au

Notes / Information

- B&D Roll-A-Shutter™ Series 1 & 2 Industrial Slat Type Shutters are covered by a 12 month warranty, for complete door and parts, as recommended in the door's handbook. Full details of the warranty are available from www.bnd.com.au. 12 month warranty only applies to doors purchased and installed in Australia or New Zealand. Warranty only valid if warranty conditions are met.
- For areas within one kilometre of a corrosive environment eg. salt air or industrial fallout, special care and maintenance are generally required for metal products. Consult B&D or your B&D Accredited Dealer for advice.
- The company reserves the right to make changes or improvements to the products or accessories without notice and without incurring any obligation to make similar changes or improvements to goods previously

ordered. The company also reserves the right to site touch-up of colour finishes as deemed necessary by the Company. Specifications subject to change without notice.

d) Roll-A-Door and Nylofelt are trademarks of B&D Australia Pty Ltd. Abuse of these trademarks will result in legal action.

e) B&D products have many patents and registered designs applicable. B&D Roll-A-Shutter™ Series 1 & 2 Slat Type Shutters are Australian made

f) Colorbond® and Zincolume® are registered trademarks of BlueScope Steel Limited.

g) While BlueScope Steel Limited is our preferred supplier, steel products from other sources may also be used.

h) Details correct at date of publication.



Doors & Openers®

THERE'S SO MUCH MORE BEHIND A B&D DOOR

Call **13 62 63** or visit www.bnd.com.au for further information.