



AUSTRALIA'S PREMIUM  
LIGHT INDUSTRIAL ROLLING DOOR

# Roll-A-Shutter®

MINI INDUSTRIAL SLAT TYPE SHUTTER



The Roll-A-Shutter® Mini slat shutter is designed with security in mind.

With a large range of options and an attractive finish, it is suitable for a wide range of commercial applications including counter tops, equipment cabinets, bottle shops, doorways, canteens and sports complexes.

## FEATURES

- Small roll up diameter allows use in confined spaces.
- Unique one piece bracket and guide channel allowing easy operation.
- Available in anodised or powder coat finishes.
- Manual hand operation or 240V motorisation option available.
- Available for a range of openings up to 3000mm high or maximum 9m<sup>2</sup>.
- Aluminium slats constructed to prevent lateral movement, providing smooth operation and long life performance free from lubrication.

## ROLLER DRUM

Manufactured from 150mm, diameter extruded aluminium tube, solid nylon end caps and a solid steel shaft attached to self lubrication drum wheels and bearings rotating on a steel shaft. The shaft shall be fitted with helical springs designed to counterbalance the curtain weight throughout its operation. The drum shall be designed to give minimum deflection over the span.



**Doors & Openers®**

THERE'S SO MUCH MORE BEHIND A B&D DOOR

Call **13 62 63** or visit [www.bnd.com.au](http://www.bnd.com.au) for further information.

# THERE'S SO MUCH MORE BEHIND A DOOR

## SIZES

Suits openings up to 3000mm high or maximum 9m<sup>2</sup>.

## CURTAIN

Constructed from extruded aluminium slats with a face depth of 44mm x 1.5mm. Nylon end clips fitted to alternate slats to prevent lateral movement and provide smooth operation and long life performance free from lubrication.

## BRACKETS

Manufactured from mild steel. Drop-in brackets allow the bracket to insert into the top of the guide.

## CHANNEL GUIDES

37mm x 25mm wide extruded aluminium section pre-fixed to the bracket.

## OPERATION

Designed for manual hand operation as standard or 240V motorisation option available on request.

## FINISH

Available in matt natural anodised. Other colours and powder coat finishes also available on request.

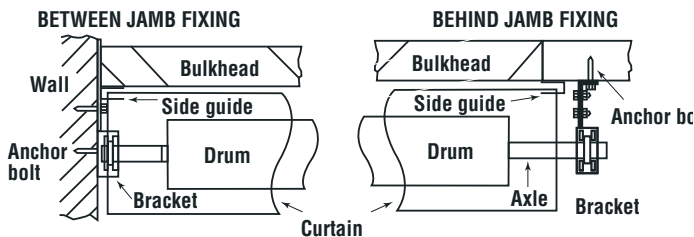
## BOTTOM RAIL

60mm x 10mm extruded aluminium "T" section incorporating locking device and optional PVC buffer.

## LOCKING

Centrally mounted, two way mortice key lock or sliding shoot bolt locking mounted within the bottom rail.

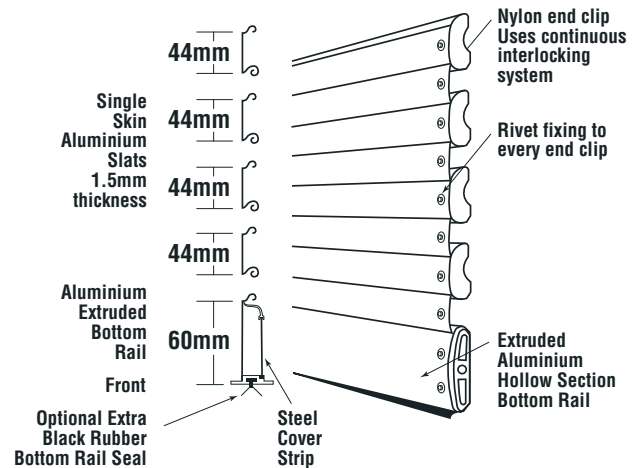
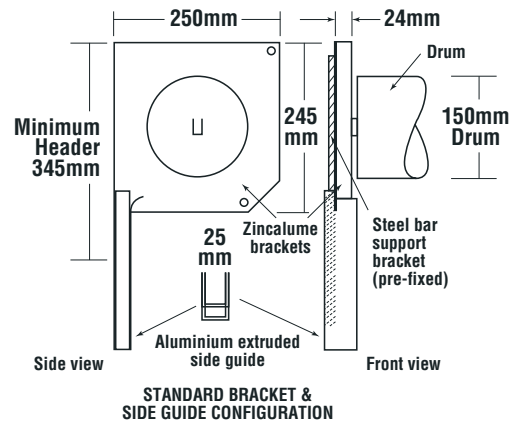
## STANDARD INSTALLATION DETAILS



## DIMENSIONS

Drop	600	900	1200	1500	1800	2100
Bundle Diameter 150mm	170	200	200	235	235	260

## BRACKET AND GUIDE DETAILS



YOUR B&D REPRESENTATIVE IS

International Customers call **+61 2 9722 5555**  
fax **+61 2 9771 6385** or email **bndint@bnd.com.au**

B&D Doors has offices servicing all states.

For more details on this product or our other ranges,  
phone **13 62 63** or visit **www.bnd.com.au**

### Notes / Information

- B&D Firmadoor® Series 2 Light Industrial Roll-Up Doors are covered by a 12 month warranty, for complete door and parts, as recommended in the door's handbook. Full details of the warranty are available from [www.bnd.com.au](http://www.bnd.com.au). 12 month warranty only applies to doors purchased and installed in Australia or New Zealand. Warranty only valid if warranty conditions are met.
- For areas within one kilometre of a corrosive environment eg. salt air or industrial fallout, special care and maintenance are generally required for metal products. Consult B&D or your B&D Accredited Dealer for advice.
- The company reserves the right to make changes or improvements to the products or accessories without notice and without incurring any obligation to make similar changes or improvements to goods previously

ordered. The company also reserves the right to site touch-up of colour finishes as deemed necessary by the Company. Specifications subject to change without notice.

- Roll-A-Door and Nylofelt are trademarks of B&D Australia Pty Ltd. Abuse of these trademarks will result in legal action.
- B&D products have many patents and registered designs applicable. B&D Firmadoor® Light Industrial Roll-Up Doors are Australian made
- Colorbond® and Zinalume® are registered trademarks of BlueScope Steel Limited.
- While BlueScope Steel Limited is our preferred supplier, steel products from other sources may also be used.
- Details correct at date of publication.



**Doors & Openers®**

THERE'S SO MUCH MORE BEHIND A B&D DOOR

Call **13 62 63** or visit **www.bnd.com.au** for further information.