



AUSTRALIA'S PREMIUM  
LIGHT INDUSTRIAL ROLLING DOOR

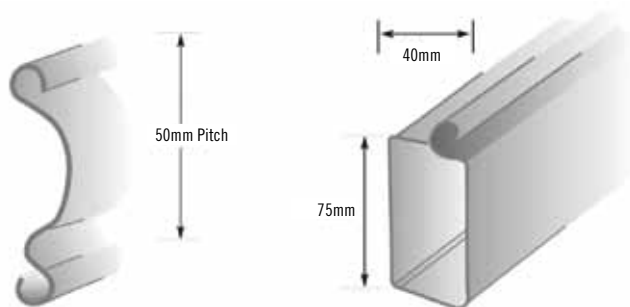
# Roll-A-Shutter®

8/50 – INDUSTRIAL SLAT TYPE SHUTTER



The 8/50 Roll-A-Shutter curtain is made from 0.8mm thick galvanised steel with zinc coating of no less than 275g/m<sup>2</sup>, roll formed into a deep profile slat with a nominal pitch of 50mm.

The curtain is fitted with moulded nylon clips to the ends of alternate slats by two nylon rivets.



## BENEFITS

- Can be adapted for between-wall situations or doorways with clearance limitations
- Specially designed for commercial, small and light industrial applications from 900mm (h) x 900mm (w) to 5100mm (h) x 5100mm (w)
- The 8/50 is easily operated manually (no chain wheel)
- Ideal for kiosks, shops, trucks and vans etc.

## BOTTOM RAILS

Steel box section 75mm high x 40mm wide, cold roll formed 2mm galvanised steel, with the top edge formed to interlock with the bottom slat. Optional extruded aluminium bottom rail 70mm high x 54mm wide base is also available.

## DRUM

For openings up to and including 2100mm x 2100mm, an 89mm diameter steel tube with a wall thickness of 1.6mm is used. For openings above 2100mm x 2100mm, a 168mm diameter steel tube with a wall thickness of 3.2mm is used.



**Doors & Openers®**

THERE'S SO MUCH MORE BEHIND A B&D DOOR

Call 13 62 63 or visit [www.bnd.com.au](http://www.bnd.com.au) for further information.

# THERE'S SO MUCH MORE BEHIND A DOOR

## GUIDES

- Two types of cold roll formed galvanised steel channel sections are used,
1. 50mm channel made from a 2.5mm thick material up to 3200mm wide
  2. 75mm channel made from a 3.2mm thick material optional to 3200mm wide, standard over 3200mm wide

Both are formed with a internal working clearance for the curtain clips. The top of the channel is flared to facilitate entry of the curtain.

## GEARS

Chain operated shutters are fitted with a spur gear attached to one end of the drum and meshing with a number of gears to give a desired gear ratio depending on shutter size. Motor driven shutters are fitted with a sprocket to one end of the drum and driven by transmission chain.

## BRACKETS

The shutter support brackets are fabricated from 50mm x 50mm x 6mm mild steel angle, supplied with spindle support angles or 8-10mm M/S plate.

## SPRINGS

Helical torsion type springs made from spring steel wire conforming to AS1472. These are designed to suit to opening dimensions without exceeding the safe working stress limits.

## LOCKING

Hand operated shutters are fitted with slide bolts as standard. Chain operated shutters are fitted with a chain cleat lock as standard which is welded to the guide and is lockable by means of a padlock. Motor driven shutters are not to be fitted with locking bars, chain cleats or key locking unless supplied with safety electrical switches. Optional bottom rail key locking is available when specified.

## DEFLECTION & HEADROOM

It is characteristic of all rolling shutters that in the closed position the curtain has some degree of deflection graduating inward from the sides to the centre; away from the lintel. The headroom clearance specified in the dimension panel partly allows for this and provides limited cover to compensate for the consequent gap. In instances where the available headroom is less than the recommended clearance, the shutter may still be fitted, but a gap will exist between the top of the curtain and the inside of the lintel or head corresponding to the deflection of the curtain.

## FINISH

Curtain, guides and box bottom rail are zinc coated galvanised steel. Aluminium bottom rails are mill finish aluminium. Curtain and bottom rail in powdercoat finish are available when specified. All mild steel components are prime coated and hauling chain is zinc passivated.

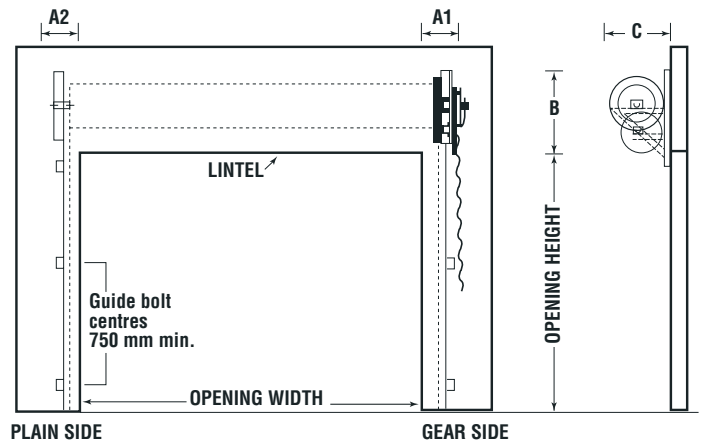
## DIMENSIONS *(all measurements in mm)*

A1 Denotes gearside      A2 Denotes plain side  
B Denotes headroom      C Denotes end view

	A1	A2	B rec	B min	C
Manual - No chain wheel(optional)	180	180	500	450	300
Up to 5.9m <sup>2</sup> 2750 h or 2750 w	200	200	500	450	300
Chain gear op. to 9.3m <sup>2</sup>	220	180	530	480	330
Up to 5000 h or 5000 w	240	200	530	480	330
Chain gear op. to 25m <sup>2</sup>	260	180	560	510	360
Up to 5000 h or 5000 w	280	200	560	510	360
Electric operation option	GUIDES		INSIDE MOUNT		OUTSIDE MOUNT
	50mm		210		440
	75mm		230		460
	50mm guides are supplied as standard on opening widths up to 3200mm				

50mm or 75mm guides up to 3200mm OW  
75mm guides at > 3200mm OW

## CLEARANCES



YOUR B&D REPRESENTATIVE IS

B&D Doors has offices servicing all states.  
For more details on this product or our other ranges,  
phone **13 62 63** or visit [www.bnd.com.au](http://www.bnd.com.au)

### Notes / Information

- B&D Roll-A-Shutter™ 8/50 Industrial Slat Type Shutters are covered by a 12 month warranty, for complete door and parts, as recommended in the door's handbook. Full details of the warranty are available from [www.bnd.com.au](http://www.bnd.com.au). 12 month warranty only applies to doors purchased and installed in Australia or New Zealand. Warranty only valid if warranty conditions are met.
- For areas within one kilometre of a corrosive environment eg. salt air or industrial fallout, special care and maintenance are generally required for metal products. Consult B&D or your B&D Accredited Dealer for advice.
- The company reserves the right to make changes or improvements to the products or accessories without notice and without incurring any obligation to make similar changes or improvements to goods previously ordered. The company also reserves the right to site touch-up of colour finishes as deemed necessary by the Company. Specifications subject to change without notice.
- Roll-A-Door and Nylofelt are trademarks of B&D Australia Pty Ltd. Abuse of these trademarks will result in legal action.
- B&D products have many patents and registered designs applicable. B&D Roll-A-Shutter™ 8/50 Slat Type Shutters are Australian made
- Colorbond® and Zinalume® are registered trademarks of BlueScope Steel Limited.
- While BlueScope Steel Limited is our preferred supplier, steel products from other sources may also be used.
- Details correct at date of publication.



**Doors & Openers®**

THERE'S SO MUCH MORE BEHIND A B&D DOOR

Call **13 62 63** or visit [www.bnd.com.au](http://www.bnd.com.au) for further information.