



AUSTRALIA'S PREMIUM
LIGHT INDUSTRIAL ROLLING DOOR

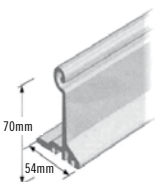
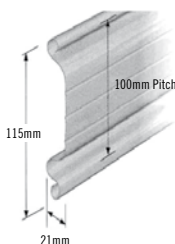
Roll-A-Shutter®

4/100 – INDUSTRIAL SLAT TYPE SHUTTER



The Roll-A-Shutter 4/100 curtain is made from 0.42mm thick high tensile G550 continuous roll formed interlocking types of steel slats, having a nominal effective slat pitch of 100mm.

The curtain has moulded nylon clips fitted to the end of alternate slats by means of three nylon rivets.



BENEFITS

- Available for a range of openings from 1900mm to 5500mm high x 1900mm to 5500mm wide
- Specially designed for commercial and industrial openings
- Slats are 100mm pitch with 3 small ribs, compatible with modern architectural styling
- Glass reinforced polypropylene drums inside spiral duct tubing
- Meets the demands of the high volume multi door warehouse and factory unit markets
- Easier, faster manual operation – utilising the Series 2 Planetary Gear chain drive
- Available in Zinalume®, Powdercoat or Colorbond® (limited colours).

BOTTOM RAILS

Extruded aluminium “T” section bottom rails with the top edge formed to interlock with the bottom slat of the curtain.

GEARS

B&D Series 2 Planetary Gearing or 5:1 ratio manual gearbox or electric drive with gearing ratio selected in accordance with shutter size.



Doors & Openers®

THERE'S SO MUCH MORE BEHIND A B&D DOOR

Call 13 62 63 or visit www.bnd.com.au for further information.

THERE'S SO MUCH MORE BEHIND A DOOR

GUIDES

The standard guides provided for nylon clipped Roll-A-Shutters are steel channels cold roll formed from 2.0mm steel, having a minimum depth of 70mm and measuring 36mm across the back.

TORQUE TUBE

The torque tube is of 203mm diameter. Tube has a minimum wall thickness of 1.6mm galvanised steel, to withstand a minimum deflection of 1 in 350mm. The torque tube shall be fitted with 30% glass filled polypropylene Homo-polymer plastic drums mounted on a 33.7mm axle having a minimum thickness of 4.0mm. Axle end reinforcement on larger doors as required.

SPRINGS

Helical torsion type springs made from Hard Drawn 2 spring steel to Australian Standard 1472 designed to fit within the torsion tube and of size selected to balance the weight of the curtain and within acceptable operating stresses.

BRACKETS

Fabricated from 50 x 50 x 5mm mild steel angle and used with double saddles and 100mm steel bolts.

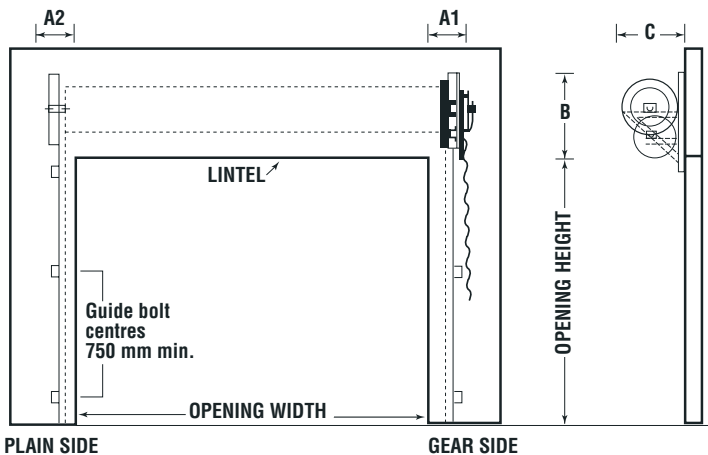
LOCKING

All hand operated shutters are supplied as standard with external bottom rail slide bolt locking. All chain operated shutters are supplied as standard with chain cleat locking. There is an option for no locking, internal slide bolts, or internal & external slide bolts. There is also an option for keylocking on aluminium bottom rails up to 4800mm wide.

FINISH

Optional powder coat finish available when specified. Hauling chains shall be zinc passivated.

CLEARANCES



DEFLECTION & HEADROOM

It is characteristic of all rolling shutters that in the closed position the curtain has some degree of deflection graduating inward from the sides to the centre; away from the lintel. The headroom clearance specified in the dimension panel partly allows for this and provides limited cover to compensate for the consequent gap. In instances where the available headroom is less than the recommended clearance, the shutter may still be fitted, but a gap will exist between the top of the curtain and the inside of the lintel or head corresponding to the deflection of the curtain.

DIMENSIONS (all measurements in mm)

A1 Denotes gearside A2 Denotes plain side
B Denotes headroom C Denotes end view

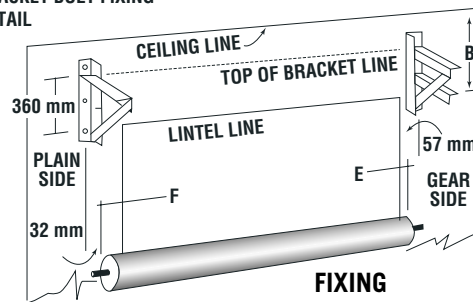
	A1	A2	B	B min	C	E	F	Approx Weight (Drums & Curtain)
Planetary Gear Drive for smaller doors under either 4500mm high or 4500mm wide								
2200mm x 2200mm	270mm	180mm	630mm	580mm	405mm	145mm	80mm	110kg
3000mm x 3000mm	270mm	180mm	680mm	630mm	455mm	145mm	80mm	160kg
3600mm x 3600mm	270mm	180mm	700mm	650mm	475mm	145mm	80mm	200kg
Grifco Chain Drive for Doors over either 4500mm or 4500mm wide								
4500mm x 4500mm	250mm	180mm	720mm	670mm	495mm	125mm	80mm	280kg
5500mm x 5500mm	250mm	180mm	720mm	670mm	495mm	125mm	80mm	360kg

* A1 and A2 are 350mm standard

* Note 1 Axles extend 350mm on both sides of the opening as standard, thus in order to achieve stated minimums the axle needs to be cut down

* Note 2 On larger doors axle ends are reinforced with solid bar welded into place, if axle needs to be cut, solid bar must be rewelded

BRACKET BOLT FIXING DETAIL



FIXING

"D" = Door jamb opening to end of drum is 100mm.

"E" = measurement from end of drum (not the gear wheel) to the fixing bolt centre line – Gear side.

"F" = measurement from end of drum to the fixing bolt centre line – Plain side.

STANDARD PARAMETERS

Curtain width = Opening width + 120mm

Drum length = Opening width + 200mm

Axle length = Opening width + 700mm

YOUR B&D REPRESENTATIVE IS

B&D Doors has offices servicing all states.

For more details on this product or our other ranges, phone **13 62 63** or visit **www.bnd.com.au**

Notes / Information

- B&D Roll-A-Shutter™ 4/100 Industrial Slat Type Shutters are covered by a 12 month warranty, for complete door and parts, as recommended in the door's handbook. Full details of the warranty are available from www.bnd.com.au. 12 month warranty only applies to doors purchased and installed in Australia or New Zealand. Warranty only valid if warranty conditions are met.
- For areas within one kilometre of a corrosive environment eg. salt air or industrial fallout, special care and maintenance are generally required for metal products. Consult B&D or your B&D Accredited Dealer for advice.
- The company reserves the right to make changes or improvements to the products or accessories without notice and without incurring any obligation to make similar changes or improvements to goods previously

ordered. The company also reserves the right to site touch-up of colour finishes as deemed necessary by the Company. Specifications subject to change without notice.

d) Roll-A-Door and Nylofelt are trademarks of B&D Australia Pty Ltd. Abuse of these trademarks will result in legal action.

e) B&D products have many patents and registered designs applicable. B&D Roll-A-Shutter™ 4/100 Slat Type Shutters are Australian made

f) Colorbond® and Zinalume® are registered trademarks of BlueScope Steel Limited.

g) While BlueScope Steel Limited is our preferred supplier, steel products from other sources may also be used.

h) Details correct at date of publication.



Doors & Openers®

THERE'S SO MUCH MORE BEHIND A B&D DOOR

Call **13 62 63** or visit **www.bnd.com.au** for further information.